

Type codes

001	Series
KRP	Connecting cable, socket connection pattern ZC, self-tapping screw

002	Variant
1	Variant 1

003	Rated operating voltage
24	24 V DC

004	Cable length [m]
2.5	2.5
5	5

Datasheet

Connecting cable KRP-1

- Connecting cable for connecting relay plates (valve terminal CPV10 and CPV14)
- Pre-assembled
- Cable lengths: 2.5 m and 5 m
- 2-pin socket
- Not suitable for energy chains



General technical data

Type of mounting	Via through-hole
Mounting position	Any

Technical data – Electrical connection

Electrical connection	2-pin, angled socket
-----------------------	----------------------

Technical data – Electrics

Operating voltage range DC	≤26 V
Operating voltage range AC	≤20 V
Current rating	1 A

Technical data – Cable

Cable diameter	3.5 mm
Cable composition	2 x 0.25 mm ²

Materials

Housing material	PUR
Cable sheath material	PVC
Pin contacts material	Bronze
LABS (PWIS) conformity	VDMA24364-B2-L

Operating and environmental conditions

Ambient temperature	-10 ... 50 °C
CE marking (see declaration of conformity) ¹⁾	To EU RoHS Directive
UKCA marking (see declaration of conformity) ²⁾	To UK RoHS regulations
Degree of protection	IP65

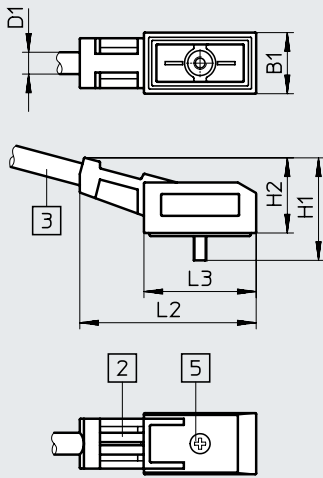
1) Additional information: www.festo.com/catalogue/pun-h → Support/Downloads.

2) Additional information: www.festo.com/catalogue/pun-h → Support/Downloads.

Datasheet

Dimensions

Download CAD data → www.festo.com



- [2] Holder for inscription label (IBS-6x10)
- [3] 2-core cable 2.5 m or 5 m (2x0.25 mm²)
- [5] Retaining screw

Type	B1	D1 ∅	H1	H2	L1	L2
KRP-1	9.8	3.4	16.4	12	28.3	18

Ordering data

	Electrical connection		Cable length [m]	Weight [g]	Part no.	Type
	Field device side	Controller side				
	Socket, plug pattern ZC, self-tapping screw	Open cable end	2.5	49	165612	KRP-1-24-2.5
			5	94	165613	KRP-1-24-5

Ordering data – Accessories

			Part no.	Type
	Inscription labels in frames, pack of 64	6x10 mm	18576	IBS-6x10