

Data sheet

Plug socket with cable KME

- Plug socket with cable for valves with E solenoid coils
- Pre-assembled
- Cable lengths 2.5 to 10 m



General technical data	
Electrical connection 1	Angled socket, square design, 3-pin, type C
Electrical connection 2	Open end, 2-wire
Switching position indication	Yellow LED
Protective earth connection	Not provided
Nominal operating voltage	[V DC] 24
Current rating	[A] 4
Cable composition	[mm ²] 2x0.75
Cable diameter	[mm] 5.2
Cable diameter tolerance	[mm] ±0.1
Min. cable bending radius	[mm] 52
Cable characteristic	For static applications
Type of mounting	On solenoid valve with M3 central screw
Mounting position	Any
Degree of protection	IP67 to IEC 60529

Materials	
Housing	TPE-U(PU)
Seals	NBR
Pin contact	Bronze
Cable sheath	PVC
PWIS conformity	VDMA24364-B2-L

Operating and environmental conditions	
Ambient temperature	[°C] -20 ... +80
Corrosion resistance class CRC ¹⁾	1
CE marking (see declaration of conformity) ²⁾	To EU RoHS Directive
UKCA marking (see declaration of conformity) ²⁾	To UK RoHS regulations

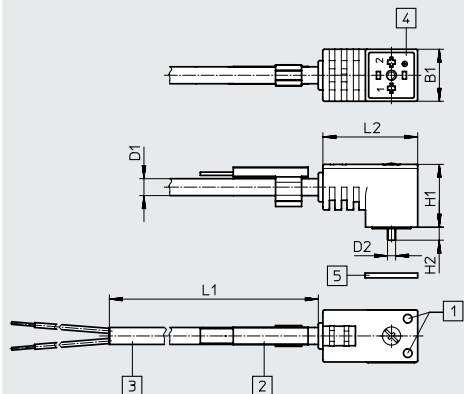
1) More information: www.festo.com/x/topic/kbk

2) More information: www.festo.com/catalogue/... → Support/Downloads.

Data sheet

Dimensions

Download CAD data → www.festo.com



- [1] LED illuminated area
- [2] Inscription label holder ASCF with label ASLR-L-423 (scope of delivery)
- [3] 2-wire cable (2x 0.75 mm²)
- [4] Plug pattern type C
- [5] Seal

Type	B1	D1	D2	H1	H2	L1	L2
KME-1-24-2.5-LED	16	5.2	M3	19.3	4	2500	29.1
KME-1-24-5-LED						5000	
KME-1-24-10-LED						10000	

Ordering data

Electrical connection 1	Cable length [m]	Product weight [g]	Part no.	Type
Angled socket, square design, 3-pin, type C	2.5	135	30943	KME-1-24-2.5-LED
	5	280	30945	KME-1-24-5-LED
	10	570	193455	KME-1-24-10-LED